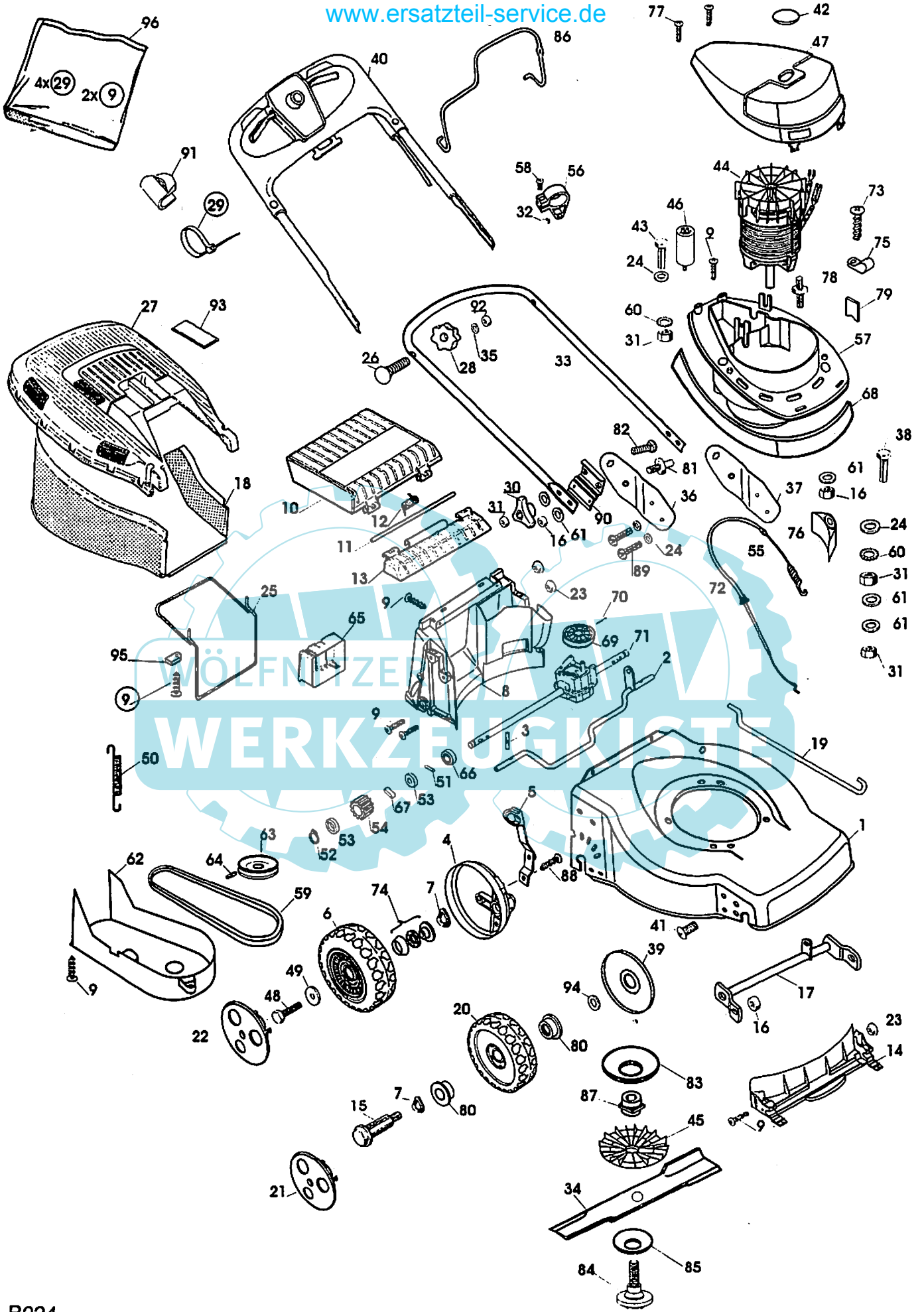


Ausgabe Issue 1999-1		Bild Nr. Picture No B024		VARIOLUX 45 EA	VARIOLUX 45 EA	Seite Page 24		
Pos. Fig.	Anzahl/Quantity			Artikel Nr. Part No	Bezeichnung	Description	Satz Kit	Anmerkung Notes
X	1	1		1117-1144-04	Chassie.....	Chassis .....		
	2	1		1117-1173-01	Hinterachse .....	Shaft-backside .....		
	3	2		9595-0212-00	Spannstift .....	Locating pin .....		
	4	2		1117-1304-01	Raddeckel.....	Wheel protection cap .....		
	5	1		1117-1174-01	Höheneinstellhebe .....	Height adjust lever .....		
	6	2		1111-2665-01	Rad mit Kugellager .....	Wheel assy.....		Inkl. 74
	7	4		9694-0003-00	Scheibe.....	Washer.....		
	8	1		1117-1146-01	Leitblech-hintere.....	Baffle-rear .....		
	9	18		9836-9516-12	Schraube .....	Screw.....		
	10	1		1117-1156-02	Klappe (schwarz) .....	Rear flap (black).....		
	11	1		1117-1143-01	Achse.....	Shaft .....		
	12	1		1117-1126-01	Feder .....	Spring-rear flap .....		
	13	1		1117-1155-02	Klappehalterung.....	Rear flap holder .....		
	14	1		1117-1145-01	Leitblech-vordere.....	Baffle-front.....		
X	15	2		1111-3164-01	Radbolzen.....	Wheel axle bolt.....		
	16	8		9716-0831-02	Mutter.....	Nut.....		
	17	1		1117-1334-01	Vorderachse .....	Front shaft.....		
	18	1		1117-1128-01	Grasfangsack.....	Grass bag-lower.....		
	19	1		1117-1130-01	Höheneinstellstange .....	Connection rod .....		
X	20	2		1111-3163-01	Rad .....	Wheel .....		
	21	2		1111-2804-03	Nabenkapsel .....	Hub cap.....		
	22	2		1111-2815-03	Nabenkapsel-weiß .....	Hub cap-white .....		
	23	6		1117-1131-01	Mutter.....	Nut.....		
	24	7		9699-0028-02	Scheibe.....	Washer.....		
	25	1		1117-1127-01	Rahmen-Grasbehälter.....	Frame-grassbag .....		
	26	2		9899-3551-12	Schraube .....	Screw.....		
	27	1		1117-1157-02	Behälter-Oberteil.....	Upper grass bag .....		Inkl. 93 + 95
	28	2		1111-3023-01	Verriegelungsrad .....	Locking knob .....		
	29	4		9579-0008-00	Kabelhalter .....	Cable holder .....		
	30	2		1117-1108-01	Griffknopf .....	Knob .....		
	31	6		9799-0831-02	Mutter .....	Nut .....		
	32	1		9799-0631-02	Mutter .....	Nut .....		
	33	1		1117-1311-01	Führungsholm-Untert. ....	Handlebar-lower part .....		
	34	1		1117-1260-01	Messer.....	Blade .....		
	35	2		9699-0025-02	Scheibe.....	Washer.....		
	36	1		1117-1310-01	Halter-rechts.....	Handle support-R.H. ....		
	37	1		1117-1309-01	Halter-links .....	Handle support-L.H. ....		
	38	1		9997-0880-16	Schraube .....	Screw .....		
	39	2		1117-1161-01	Radschutz.....	Wheel protection.....		
	40	1		1117-1388-01	Führungsh.m.Schalter .....	Handlebar w.switch.....		Inkl. 86 + 91
	41	2		9865-0816-16	Schraube .....	Screw .....		
	42	1		1117-1357-01	• Fenster .....	• Window for cap .....		
	43	2		9997-0870-16	Schraube .....	Screw .....		
	44	1		1117-1308-01	El.Motor.....	El.motor .....		1800W
	45	1		1117-1299-01	Ventilator .....	Impeller .....		
X	46	1		9400-0224-00	Kondensator .....	Capacitor.....		
	47	1		1117-1386-02	Motorhaube Kompl.....	Motor cover assy .....		Inkl. 42
	48	2		9997-0614-16	Schraube .....	Screw .....		
	49	2		1117-1175-01	Scheibe.....	Washer.....		
	50	1		1117-1120-01	Feder .....	Spring .....		
	51	2		9591-0011-00	Stift .....	Pin .....		
	52	2		1117-1083-01	Schließring .....	Safety ring.....		
	53	4		1111-2830-01	Stützscheibe .....	Support washer.....		
	54	2		1111-3075-01	Zahnrad .....	Gear wheel .....		
	55	1		1117-1367-01	Regulierdraht.....	Control cable.....		Inkl. 72
	56	1		1117-1114-01	Drahhalter .....	Support .....		
X	57	1		1117-1372-02	Motorgehäuse .....	Motor mount.....		
	58	1		9865-0616-16	Schraube .....	Screw .....		
	59	1		1117-1113-01	Keilriemen .....	V-belt .....		
	60	3		9678-0009-02	Schloßscheibe .....	Lock washer.....		
	61	10		9699-0062-02	Scheibe.....	Flat washer.....		
	62	1		1117-1147-01	Riemenschutz.....	Transmission cap.....		
	63	1		1117-1122-01	Riemenscheibe .....	Pulley .....		



Ausgabe Issue 1999-1		Bild Nr. Picture No B024		VARIOLUX 45 EA		VARIOLUX 45 EA		Seite Page 26	
Pos. Fig.	Anzahl/Quantity			Artikel Nr. Part No	Bezeichnung	Description	Satz Kit	Anmerkung Notes	
X 64	1			9907-0610-16	Schraube .....	Screw .....			
65	1			1111-2927-01	Batteriehalter .....	Battery holder .....			
66	2			9549-0043-00	Kugellager .....	Ball bearing .....			
67	2			1111-2827-01	Treibkeil .....	Drive key .....			
68	1			1117-1373-02	Motorschutz .....	Motor cover .....			
69	1			1117-1117-01	• Riemenscheibe .....	• Pulley .....			
70	1			1111-2382-01	• Stift .....	• Pin .....			
71	1			1117-1360-01	Getriebe Kompl. ....	Gear box assy .....			
72	1			1134-3203-04	• Kabelhülse .....	• Cable protector .....			
73	1			9849-7819-16	Schraube .....	Screw .....			
74	1			1111-9047-01	• Kugellagersatz .....	• Ball bearing kit .....			
75	1			1117-1245-01	Kabelklemme .....	Cable clamp .....			
76	3			1117-1361-01	Motorstütz .....	Motor support .....			
77	2			9836-9116-12	Schraube .....	Screw .....			
78	4			1117-1112-01	Bolzen .....	Bolt .....			
79	1			1117-1359-01	Klemme .....	Clamp .....			
X 80	4			9549-0053-00	Kugellager .....	Ball bearing .....		Inkl. 69 + 70	
81	2			1117-1267-01	Bolzen .....	Bolt .....			
82	2			9898-0835-12	Schraube .....	Screw .....			
83	1			1117-1358-01	Schutz .....	Motor shaft protectio .....			
84	1			1117-1169-01	Messerbolzen .....	Blade bolt .....			
85	1			1117-1111-01	Messerscheibe .....	Disc washer .....			
86	1			1117-1378-01	• Bügel .....	• Control handle .....			
87	1			1117-1151-01	Messerhalter .....	Blade mount .....			
88	2			9836-9512-12	Schraube .....	Screw .....			
89	4			1117-1364-01	Schraube .....	Screw .....			
90	2			1117-1192-01	Isolierplatte .....	Isolation .....			
91	2			1117-1363-01	• Stütz .....	• Handle support .....			
92	2			9795-3531-02	Mutter .....	Nut .....			
93	1			1117-1135-01	• Deckel .....	• Cap for grassbag .....			
94	2			9699-0078-02	Scheibe .....	Washer .....			
95	1			1117-1136-01	• Sackklemme .....	• Sack clamp .....			
X 96	1			1117-3028-01	Montagesatz .....	Assy kit .....			